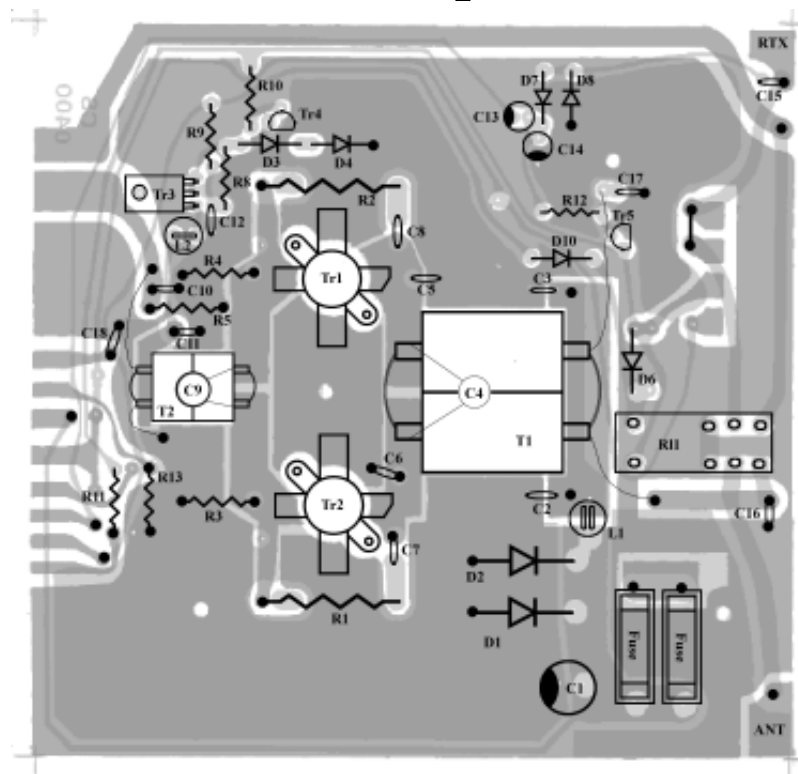
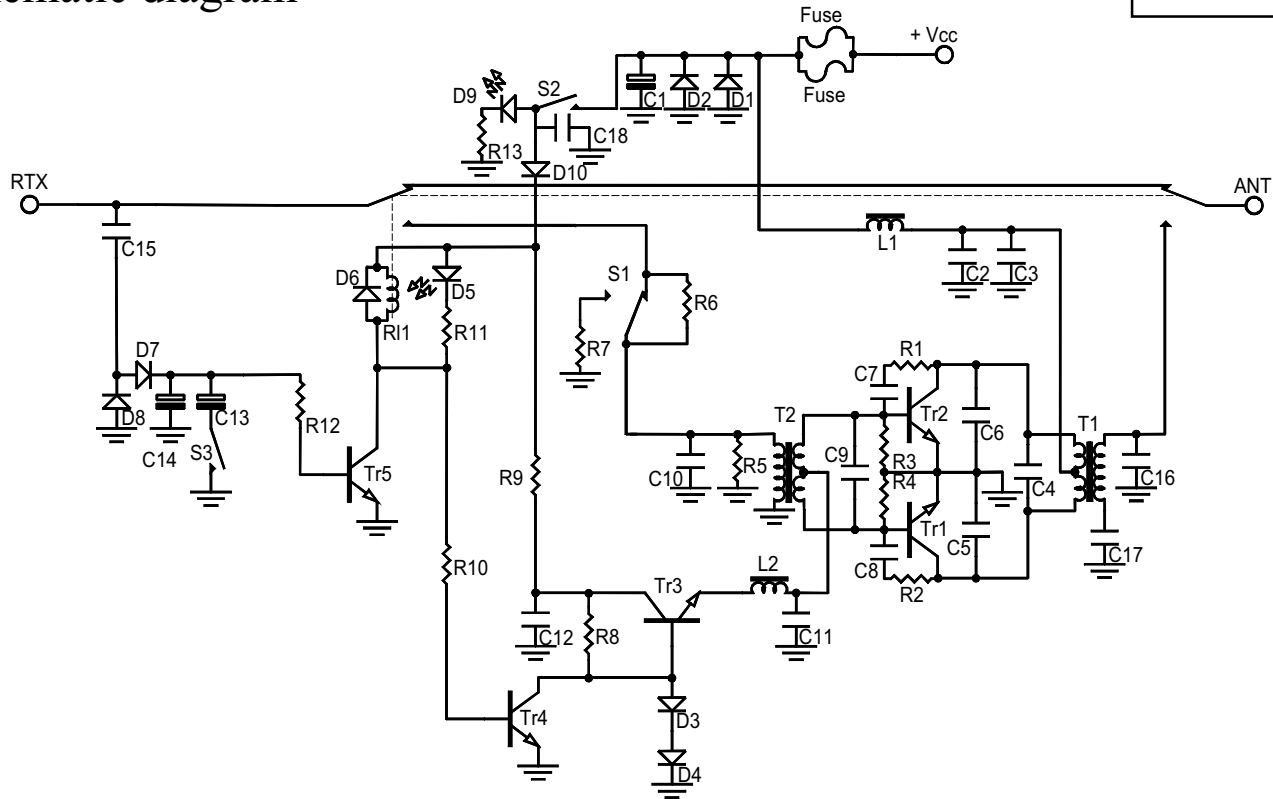


Mod. 351 linear amplifier

Schematic diagram

Version 2.00



List of components

C₁ = 470 μ F 16 V
 C₂ = 100 nF 50 V
 C₃ = 100 nF 50 V
 C₄ =
 C₅ = 220 pF 500 V N750
 C₆ = 220 pF 500 V N750
 C₇ = 47 nF 50 V
 C₈ = 47 nF 50 V
 C₉ = 470 pF 50 V N750
 C₁₀ = 180 pF 50 V N750
 C₁₁ = 10 nF 50 V
 C₁₂ = 100 nF 50 V
 C₁₃ = 33 μ F 16 V
 C₁₄ = 4,7 μ F 16 V
 C₁₅ = 8,2 pF 50 V
 C₁₆ = 47 pF 500 V N750
 C₁₇ = 100 pF 500 V N750
 C₁₈ = 10 nF 50 V
 R₁ = 68 Ω 2W
 R₂ = 68 Ω 2W
 R₃ = 10 Ω ½W
 R₄ = 10 Ω ½W
 R₅ = 150 Ω 2W
 R₆ = 47 Ω 2W
 R₇ = 150 Ω 2W
 R₈ = 1,2 K Ω ¼W
 R₉ = 1,0 Ω ½W
 R₁₀ = 12 K Ω ¼W
 R₁₁ = 1,0 K Ω ¼W
 R₁₂ = 2,2 K Ω ¼W
 R₁₃ = 1,0 K Ω ¼W
 D₁ = D₂ = 1N5400
 D₃ = D₄ = D₆ = D₁₀ = 1N4004
 D₅ = LED red
 D₇ = D₈ = 1N4148
 D₉ = LED green
 Tr₁ = Tr₂ = SD 1446
 Tr₃ = BD 179
 Tr₄ = Tr₅ = BC 547
 L₁ = VK 200 2 wires
 L₂ = VK 200 1 wire
 Rl₁ = Relè 12 V 4052
 Fuse = 2x12A
 S₁ = Switch 3A (HI LOW)
 S₂ = Switch 3A (ON OFF)
 S₃ = Switch 3A (AM SSB)
 T₁ = Output transformer
 T₂ = Input transformer